



Models: T500, T500e

Parking Brake Kit

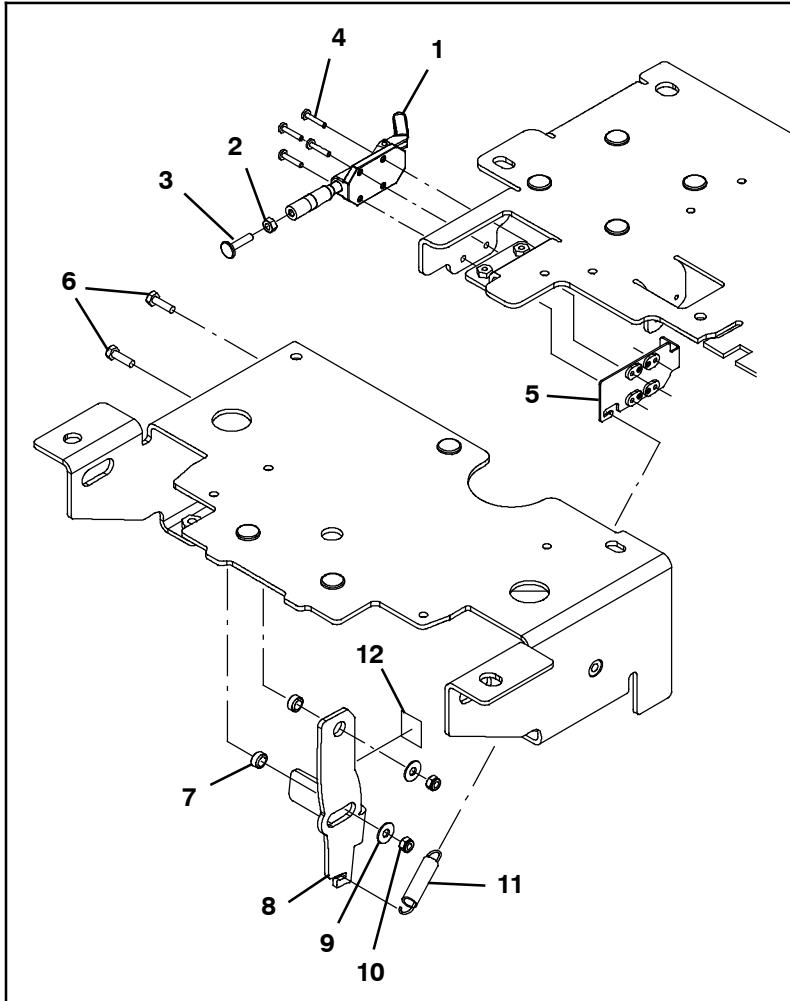


INSTALLATION INSTRUCTIONS:

Installation Time: .5 Hours

Tools Required: 10 mm wrench, Philips Screwdriver

FOR SAFETY: Before installing kit, park machine on a level surface and remove key .



Parking Brake Kit Installed

PARKING BRAKE KIT PARTS LIST

Ref.	Part No.	Description	Qty.
1	1221694	Clamp, Brake, Parking [T500]	1
2	07785	Nut, Hex, Std, M6 X 1.00, Ss	1
3	1017416	Screw, Weld, M6 X 1.00 X 25, Thru, Ss	1
4	12323	Screw, Pan, Phl, M4 X 0.70 X 20, Ss	4
5	1221695	Plate Wldt, Brake [T500]	1
6	08716	Screw, Hex, M6 X 1.00 X 20, Ss	2
7	360801	Sleeve, 0.32b 0.50d 0.3l, 2cham, Ss	2
8	1221423	Shoe, Brake, Parking	1
9	01684	Washer, Flat, 0.27b 0.69d .05, Ss	2
10	08712	Nut, Hex, Lock, M6 X 1.00, NI, Ss	2
11	75575	Spring, Extn, 0.50od 0.06wir 02.5l	1
12	1224990	Label, Opertnl, Parking Brake	1